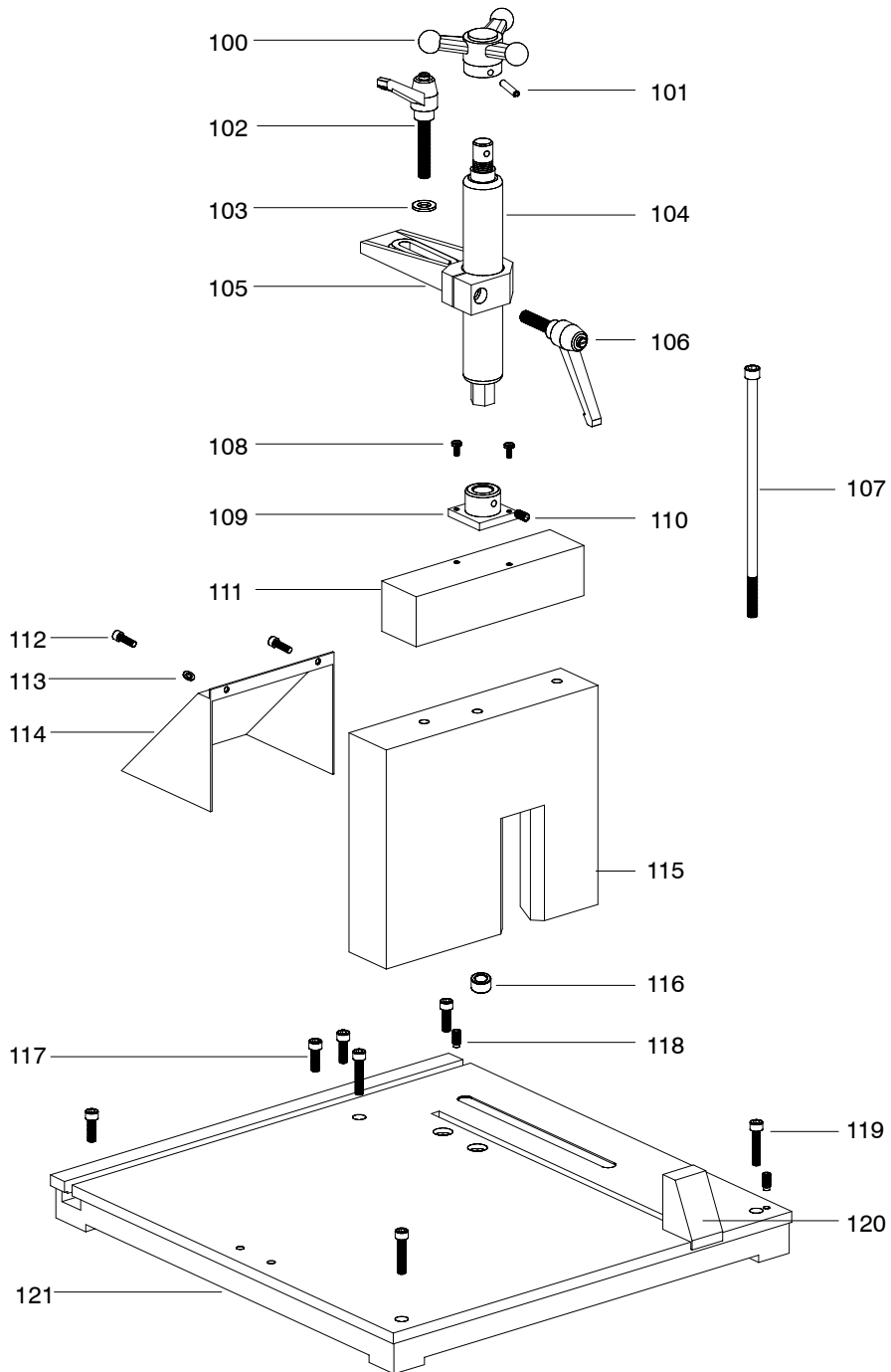


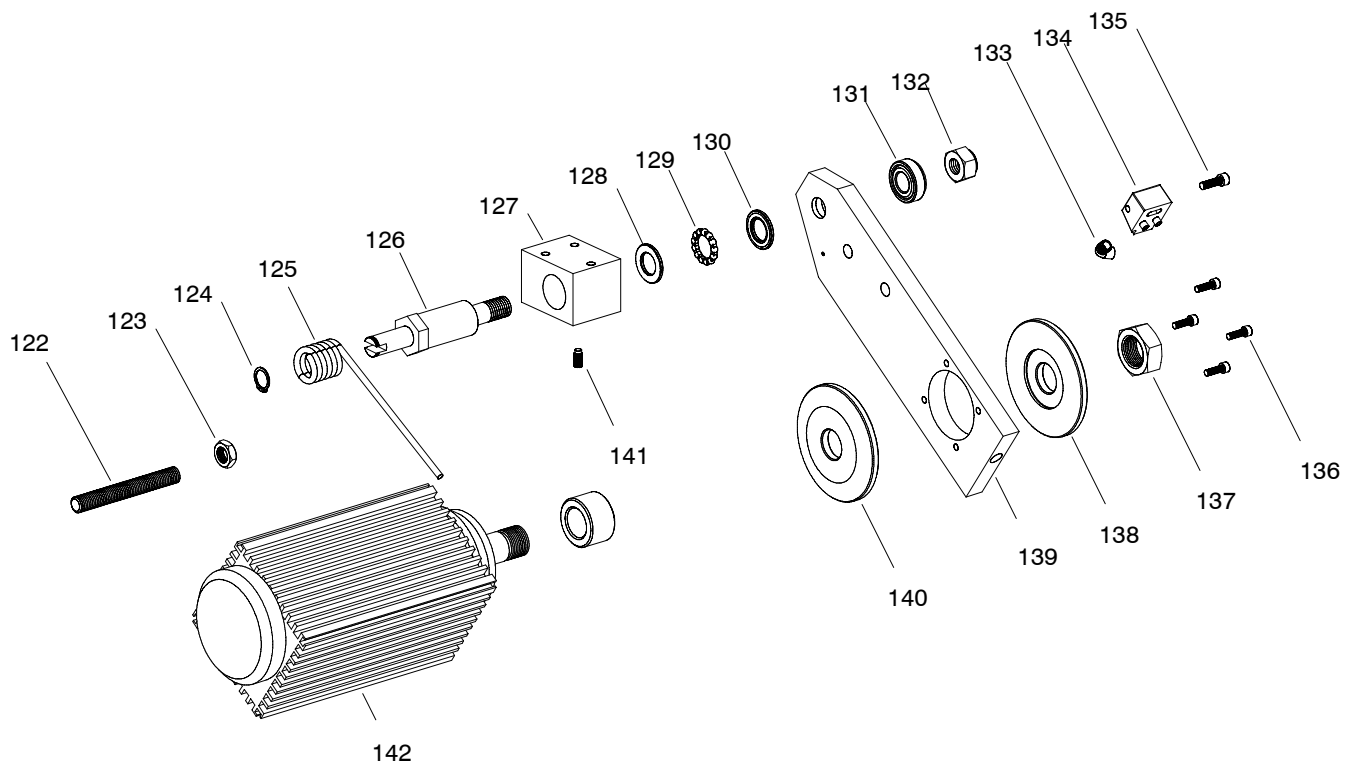
## 5.2 - Exploded views

This part of the manual contains the exploded views of the COBRA 450 which will assist in gaining a thorough knowledge of the machine.





## Exploded views (continued)





## Exploded views (continued)

