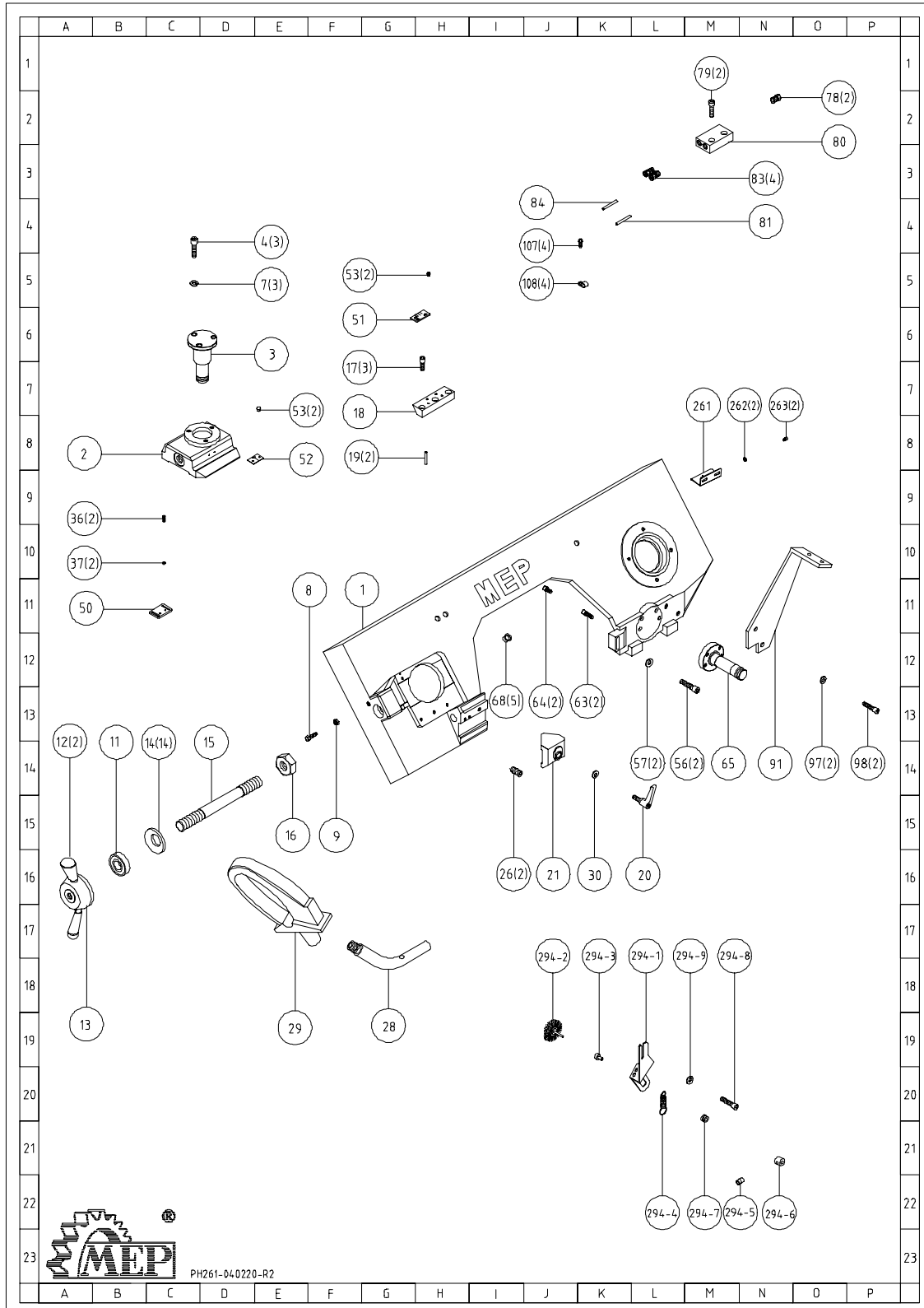


Explosietekeningen

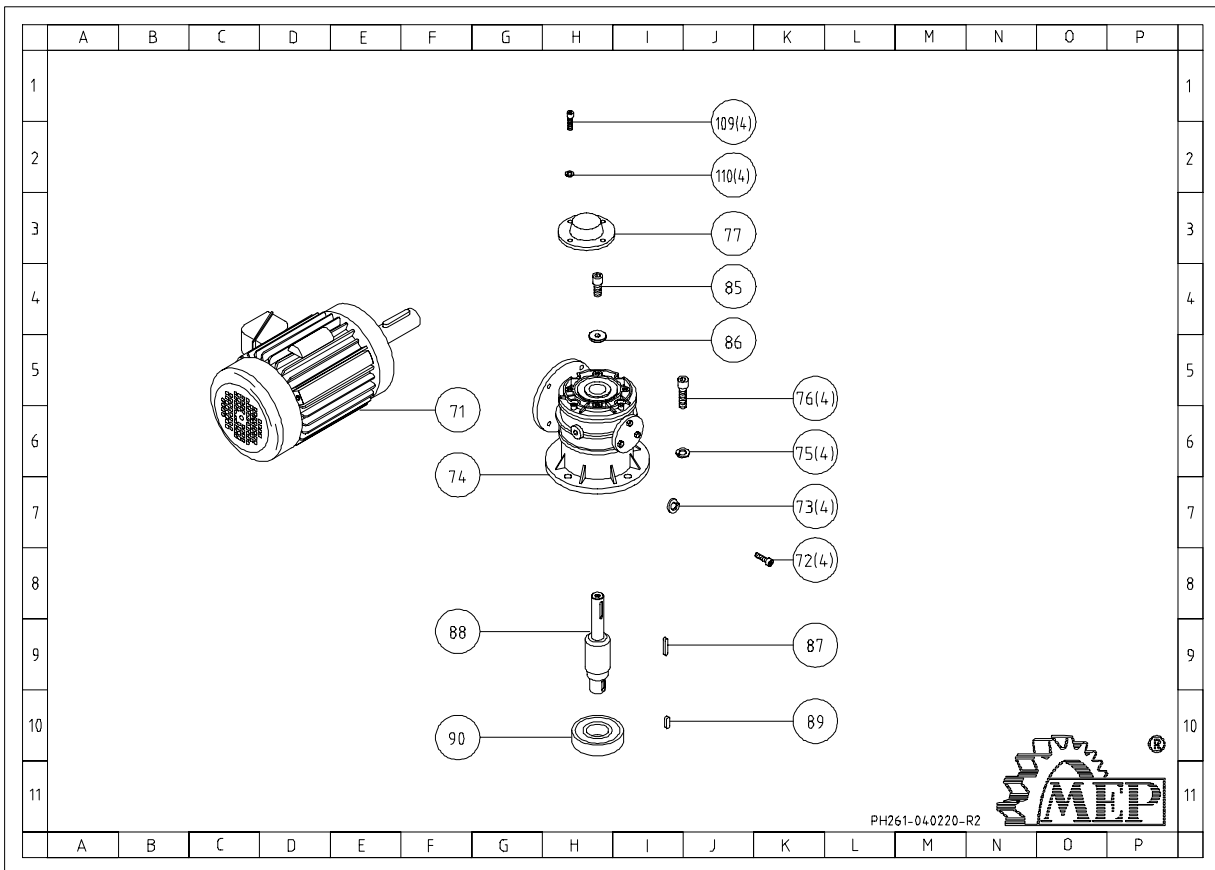
In het nu volgende deel zijn de explosietekeningen van de machine opgenomen. De tekeningen met hun volledige details kunnen helpen de machine beter te leren kennen.

Assemblage frame hoofddeel

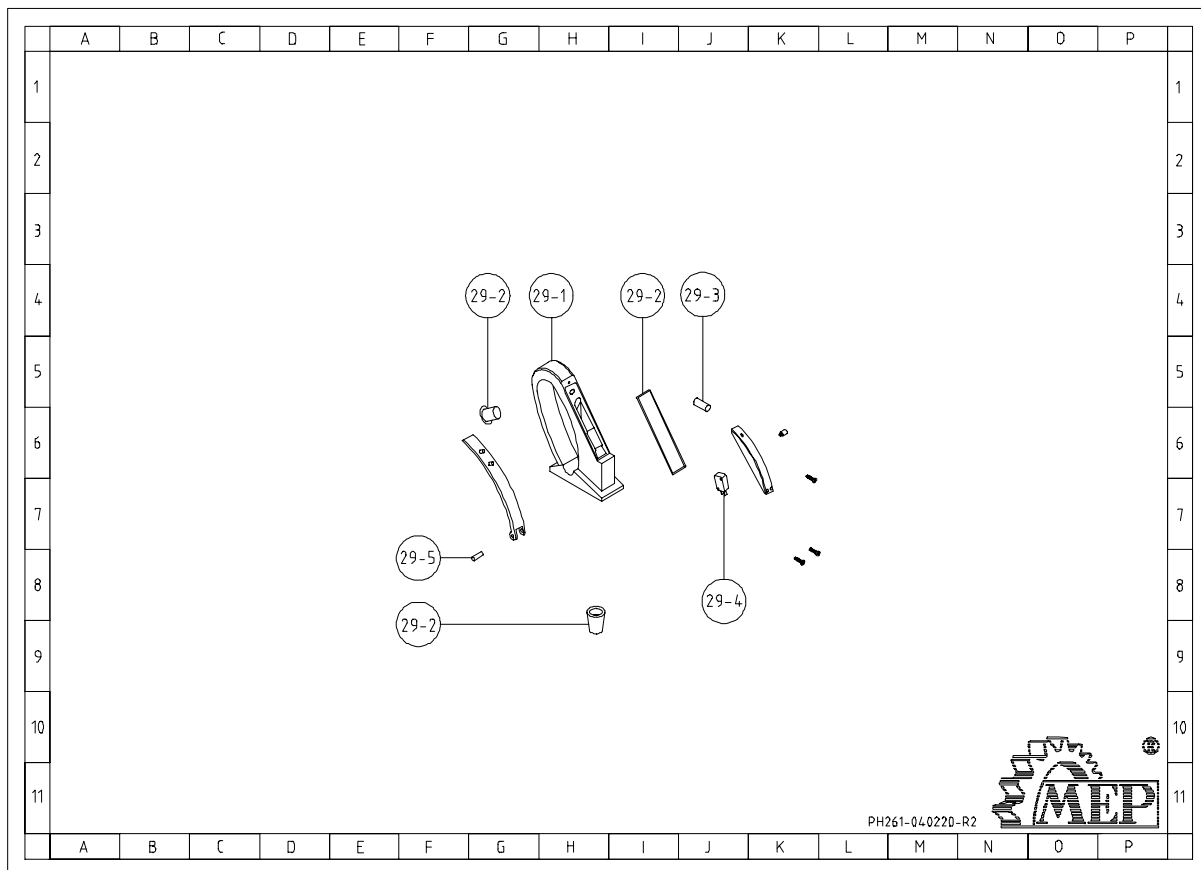


NR.	Art. NR.	Benaming	Hoeveelheid
1	001.6004	BODY FRAME	1
2	001.6010	ANCHOR BLOCK	1
3	010.2137	SHAFT	1
4	010.1201	HEX. SOCKET HEAD SCREW M8X30L	3
7	010.1201	SPRING WASHER M8	3
8	010.1201	HEX. HEAD SCREW M8X45L	1
9	010.1201	HEX. NUT M8	1
11	025.0966	BEARING 51202	1
12	034.0291	KNOB	2
13	034.0291	BLADE TENSION HANDLE	1
14	010.4064	SPRING WASHER Ø 17X Ø 31.5X2.5	14
15	010.3706	LEADSCREW	1
16	010.1201	HEX. NUT M16XP2	1
17	010.1201	HEX. SOCKET HEAD SCREW M8X25L	3
18	010.4025	FIXED BLOCK	1
19	010.1201	PIN Ø 5X40	2
20	034.1002	GRIP M10X52L	1
21	010.1588	FIXED BLOCK	1
26	010.1201	HEX. SOCKET HEADLESS SCREW M8X10L	2
28	010.1920	CONNECTING TUBE	1
29	090.0271	HANDLE ASSEMBLY	1
30	010.1201	WASHER M10	1
36	010.1201	ROUND HEAD SCREW M5X15L	2
37	010.1201	WASHER M5	2
50	022.0515	MICRO SWITCH BRACKET	1
51	031.2656	SCALE	1
52	031.2655	SCALE	1
53	010.1201	RIVET Ø 2X6	4
56	010.1201	HEX. SOCKET HEAD SCREW M8X35L	2
57	010.1201	WASHER M8	2
63	010.1201	HEX. SOCKET HEAD SCREW M10X40L	2
64	010.1201	HEX. SOCKET HEAD SCREW M10X25L	2
65	010.3709	FRAME PIVOT SHAFT	1
68	022.0326	PLASTIC BUSHING SB-16	5
78	028.0131	HOSE FITTING Ø 8X1/4"PT	2
79	010.1201	HEX. SOCKET HEAD SCREW M6X15L	2
80	010.2306	3 WAY VALVE	1
81	028.0192	PU TUBE Ø 6X240L	1
83	028.0132	HOSE FITTING Ø 6X1/8"PT	4
84	028.0191	PU TUBE Ø 6X800L	1
91	010.1589	SPRING BRACKET	1
97	010.1201	SPRING WASHER M10	2
98	010.1201	HEX. SOCKET HEAD SCREW M10X25L	2
107	010.1201	CROSS ROUND HEAD SCREW M5X20L	4
108	022.0392	HOSE CLIP Ø 8	4
261	016.1245	POWER CUTTING BRACKET	1
262	010.1201	WASHER M6	2
263	010.1201	HEX. SOCKET HEAD SCREW M6X12L	2
294-1	010.0869	BRUSH SUPPORT	1
294-2	025.0552	BRUSH	1
294-3	010.2068	BUSHING	1
294-4	010.4062	SPRING	1
294-5	010.1201	HEX. SOCKER HEADLESS SCREW M6X10L	1
294-6	010.2069	BUSHING	1
294-7	010.1698	BEARING SPACER	1
294-8	010.1201	HEX. SOCKET HEAD SCREW M5X10L	1
294-9	010.1201	WASHER M5	1

Assemblage van de motor



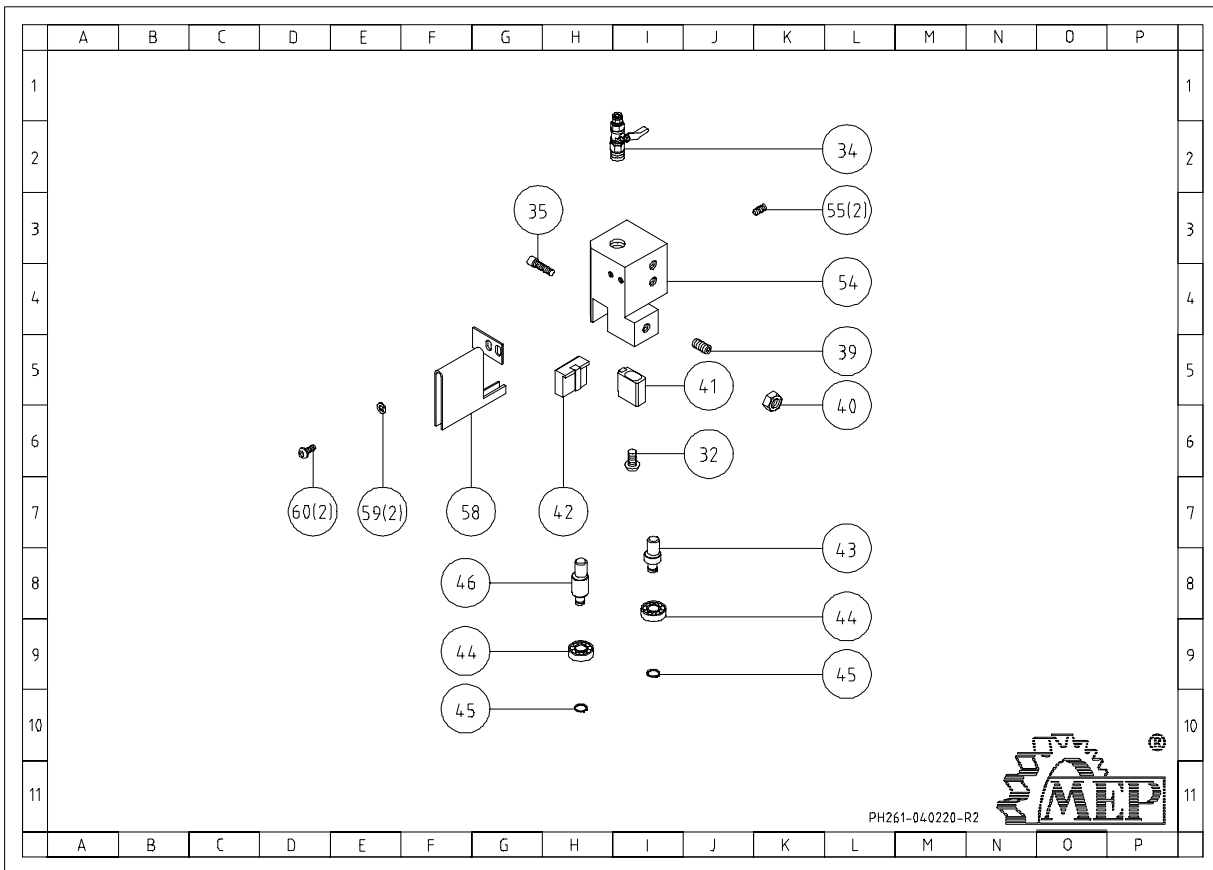
Assemblage van de handgreep



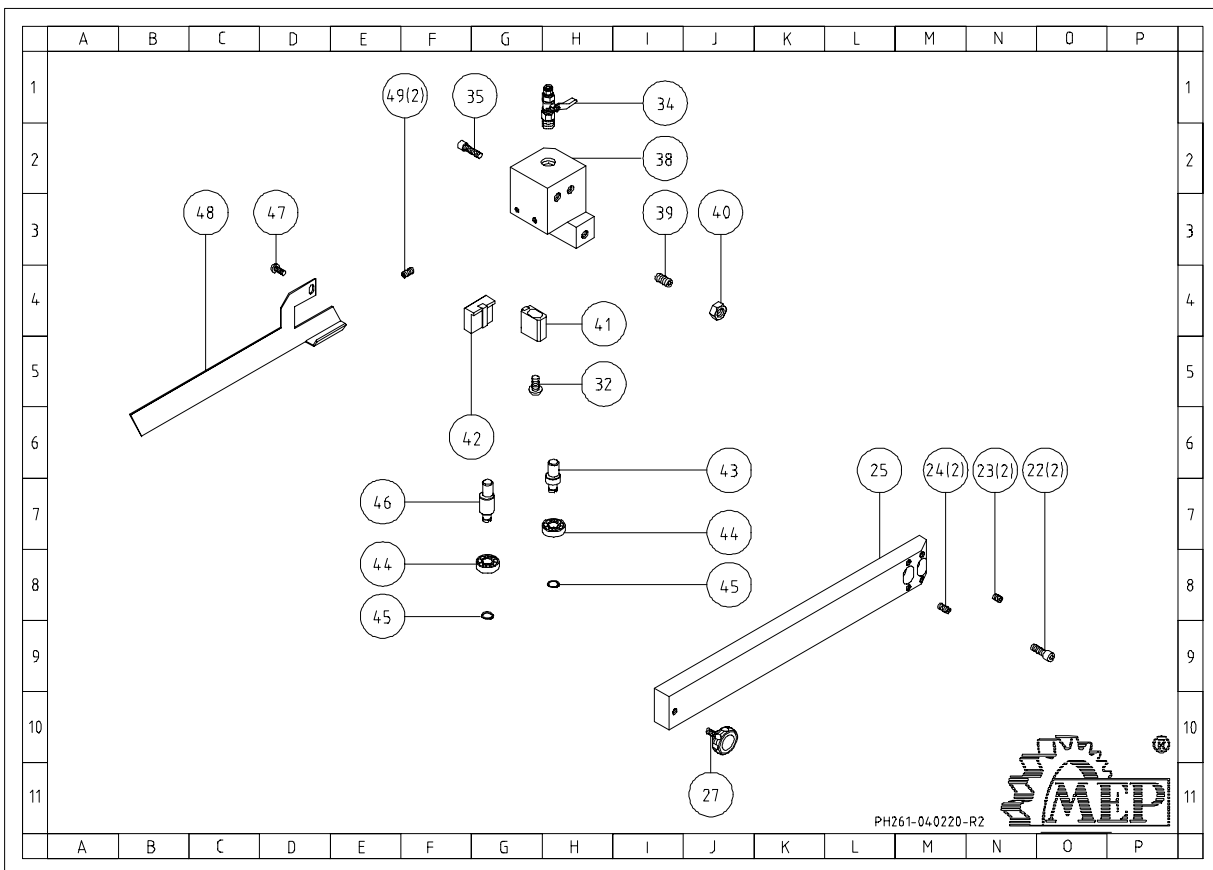
NR.	Art. NR.	Benaming	Hoeveelheid
71	019.2341	MOTOR (2/4P) 1HP/380V/50HZ/3PH/2/4P	1
72	010.1201	HEX. SOCKET HEAD SCREW M6X25L	4
73	010.1201	SPRING WASHER M6	4
74	025.0769	REDUCER 1:4	1
75	010.1201	SPRING WASHER M10	4
76	010.1201	HEX. SOCKET HEAD SCREW M10X30L	4
77	034.0423	REDUCER COVER	1
85	010.1201	HEX. SOCKET HEAD SCREW M10X30L	1
86	010.1201	PRIVE SHAFT WASHER	1
87	010.1201	ROUND HEAD KEY 8X7X50	1
88	010.2138	OUTPUT SHAFT	1
89	010.1201	ROUND HEAD KEY 8X7X25	1
90	025.0920	BEARING 6208-2RS	1
109	010.1201	HEX. SOCKET HEAD SCREW M8X15L	4
110	010.1201	SPRING WASHER M8	4

NR.	Art. NR.	Benaming	Hoeveelheid
29-1	090.0271	HANDLE	1
29-2	090.0271	GASKET SERIES	1
29-3	090.0271	SPRING	1
29-4	090.0271	MICROSWITCH	1
29-5	090.0271	CYLINDRICAL PIN	1

Assemblage instelbare zaagblad (achterkant)



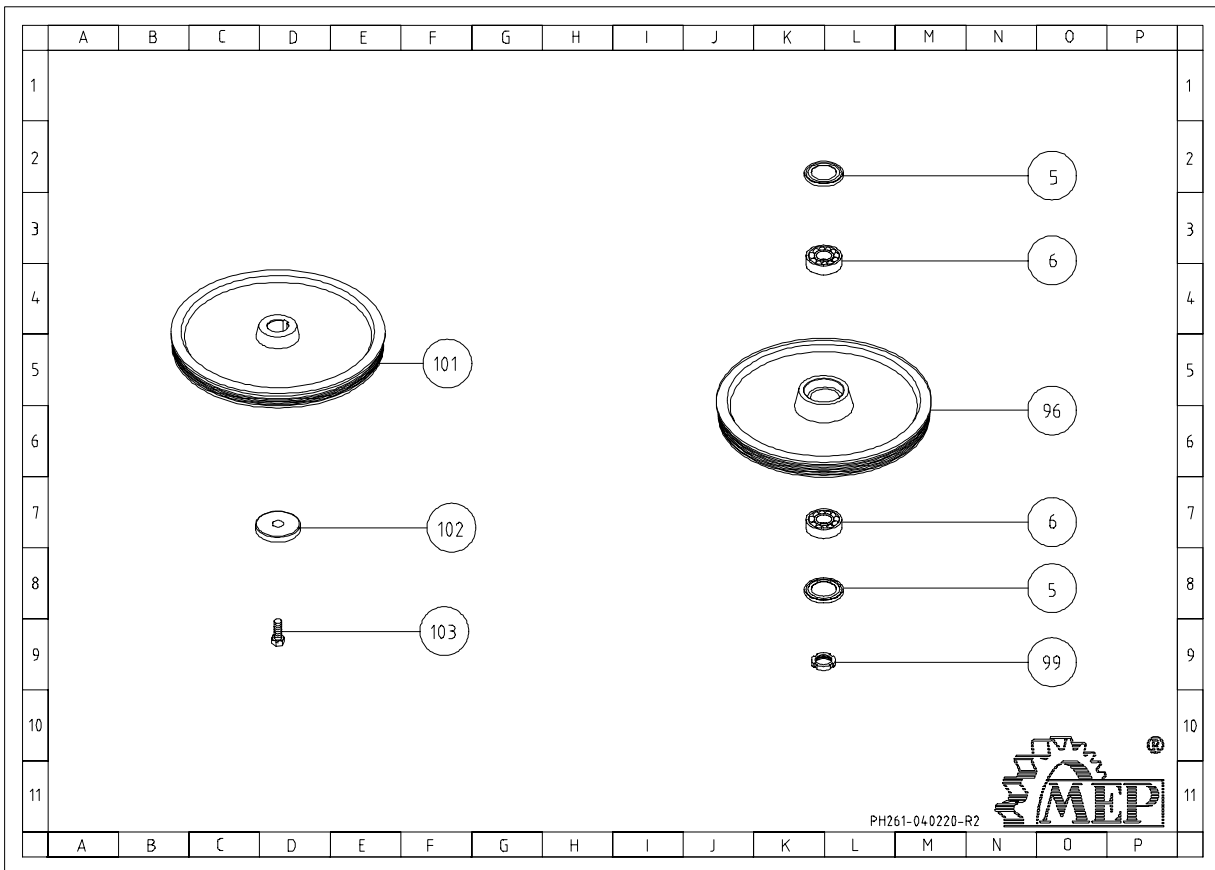
Assemblage instelbare zaagblad (voorkant)



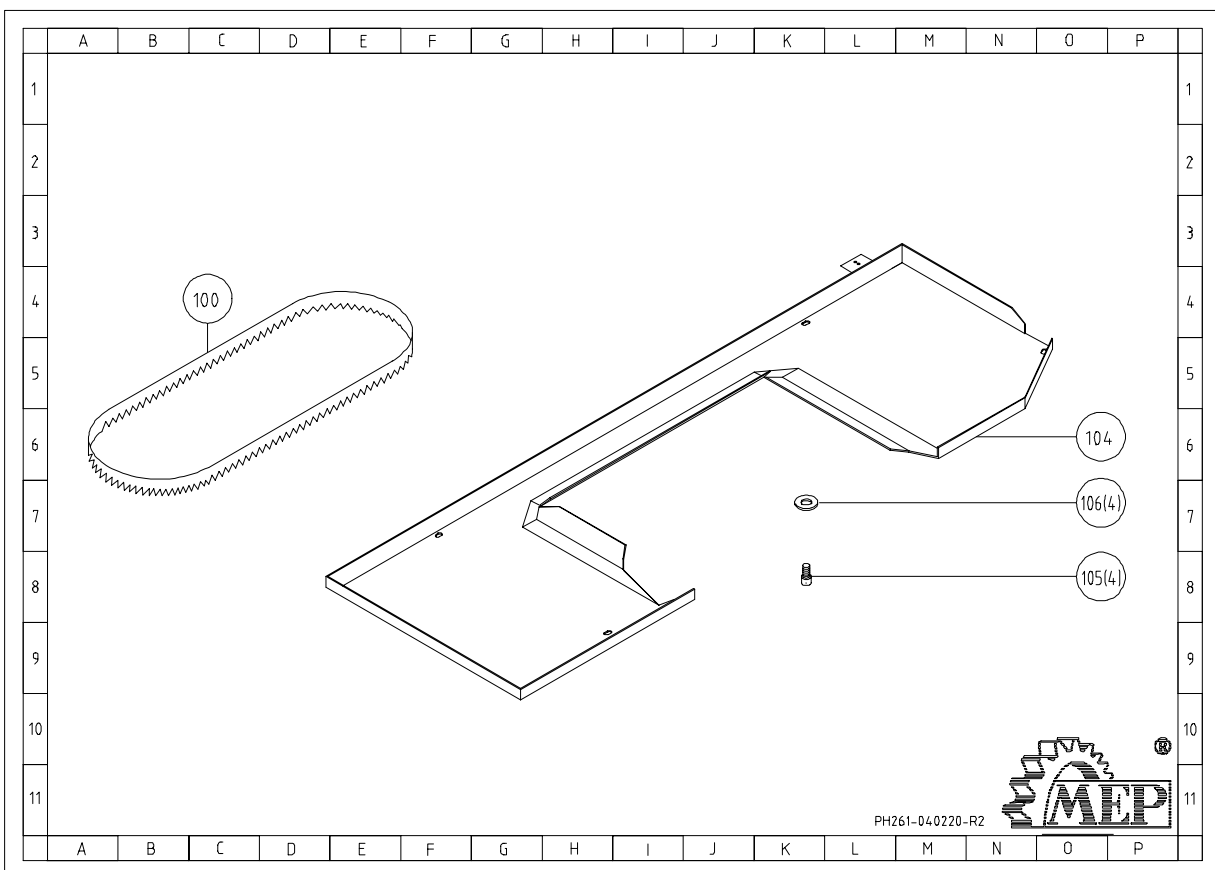
NR.	Art. NR.	Benaming	Hoeveelheid
32	010.1201	ROUND HEAD SCREW M6X40L	1
34	043.0655	VALVE 1/8"	1
35	010.1201	HEX. SOCKET HEAD SCREW M6X8L	1
39	010.1201	HEX. SOCKET HEADLESS SCREW M8X20L	1
40	010.1201	HEX. NUT M8XP1,25	1
41	010.1761	GUIDE	1
42	010.1762	GUIDE	1
43	010.3707	ECCENTRIC GUIDE	1
44	025.0901	BEARING 608-2RS	2
45	010.1201	C-RETAINER RING Ø 8	2
46	010.3708	ECCENTRIC GUIDE198019	1
54	010.2395	BLADE ADJUSTABLE (REAR)	1
55	010.1201	HEX. SOCKET HEADLESS SCREW M6X6L	2
58	016.1174	BLADE COVER 198032AT	1
59	010.1201	WASHER M5	2
60	010.1201	ROUND HEAD SCREW M5X10L	2

NR.	Art. NR.	Benaming	Hoeveelheid
22	010.1201	HEX. SOCKET HEAD SCREW M8X20L	2
23	010.1201	HEX. SOCKET HEADLESS SCREW M6X15L	2
24	010.1201	HEX. SOCKET HEADLESS SCREW M6X20L	2
25	010.2354	BLADE ADJUST STICK	1
27	034.1116	PLUM HANDLE M6X15L	1
32	010.1201	ROUND HEAD SCREW M6X40L	1
34	043.0655	VALVE 1/8"	1
35	010.1201	HEX. SOCKET HEAD SCREW M6X8L	1
38	010.2394	BLADE ADJUST (FRONT)	1
39	010.1201	HEX. SOCKET HEADLESS SCREW M8X20L	1
40	010.1201	HEX. NUT M8XP1,25	1
41	010.1761	GUIDE	1
42	010.1762	GUIDE	1
43	010.3707	ECCENTRIC GUIDE	1
44	025.0901	BEARING 608-2RS	2
45	010.1201	C-RETAINER RING Ø 8	2
46	010.3708	ECCENTRIC GUIDE	1
47	010.1201	ROUND HEAD SCREW M6X15L	1
48	016.1173	BLADE COVER (FRONT)	1
49	010.1201	HEX. SOCKET HEADLESS SCREW M6X6L	2

Assemblage gedreven wiel en drijf wiel



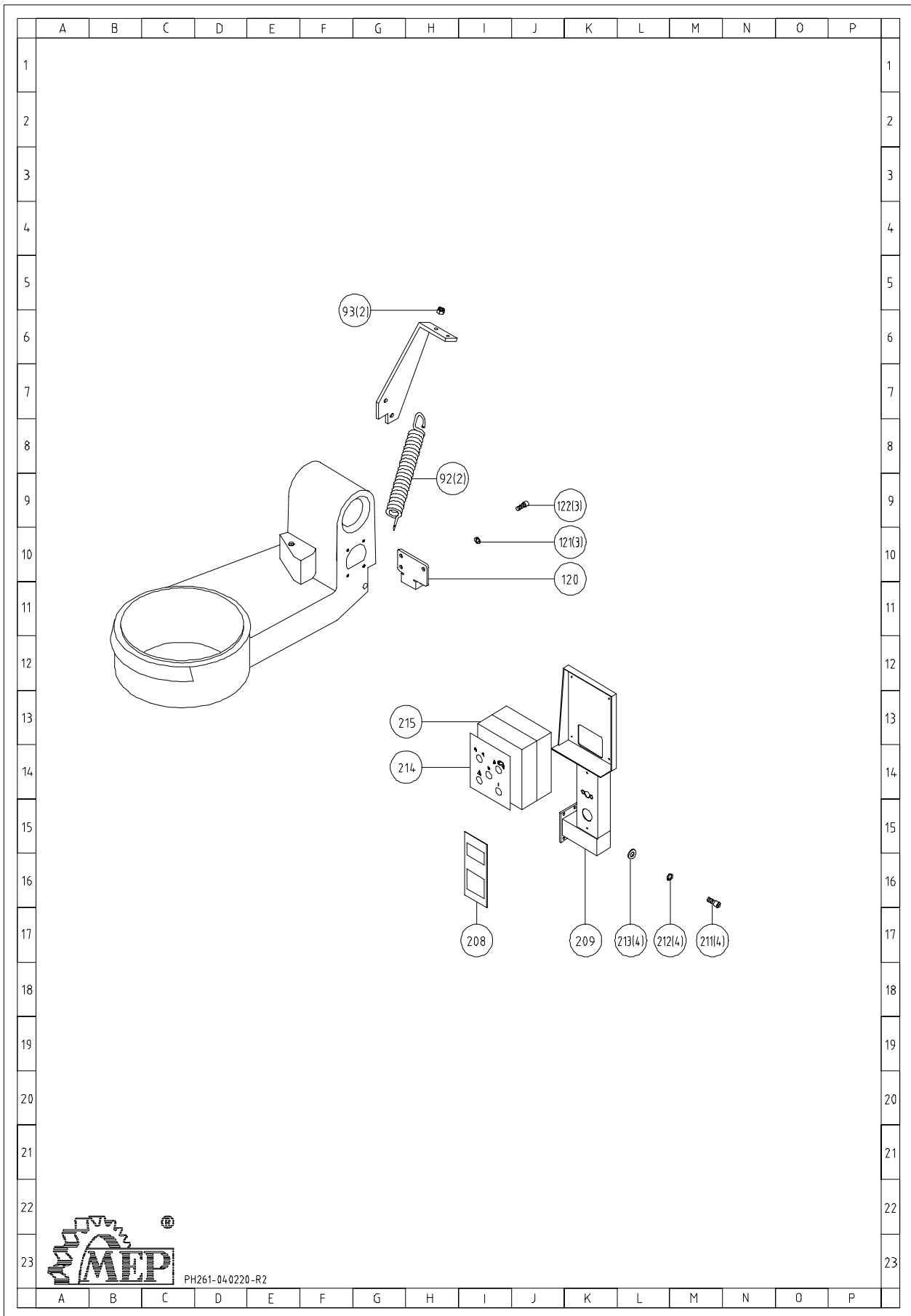
Assemblage achterste bescherming zaagblad



NR.	Art. NR.	Benaming	Hoeveelheid
5	025.0277	ANTI-CHIP COVER	2
6	025.0964	TAPERED BEARING 32006A	2
96	001.6005	IDLER WHEEL	1
99	010.0359	NUT AN06	1
101	001.6006	DRIVE WHEEL	1
102	010.1201	DRIVE SHAFT WASHER	1
103	010.1201	HEX. HEAD SCREW M12X30L	1

NR.	Art. NR.	Benaming	Hoeveelheid
100	031.0727	BLADE 0.9X27X2450X5/8T	1
104	016.0950	BLADE BACK COVER	1
105	034.1110	HEX. SOCKET HEAD SCREW M6X13L	4
106	010.1201	WASHER M6	4

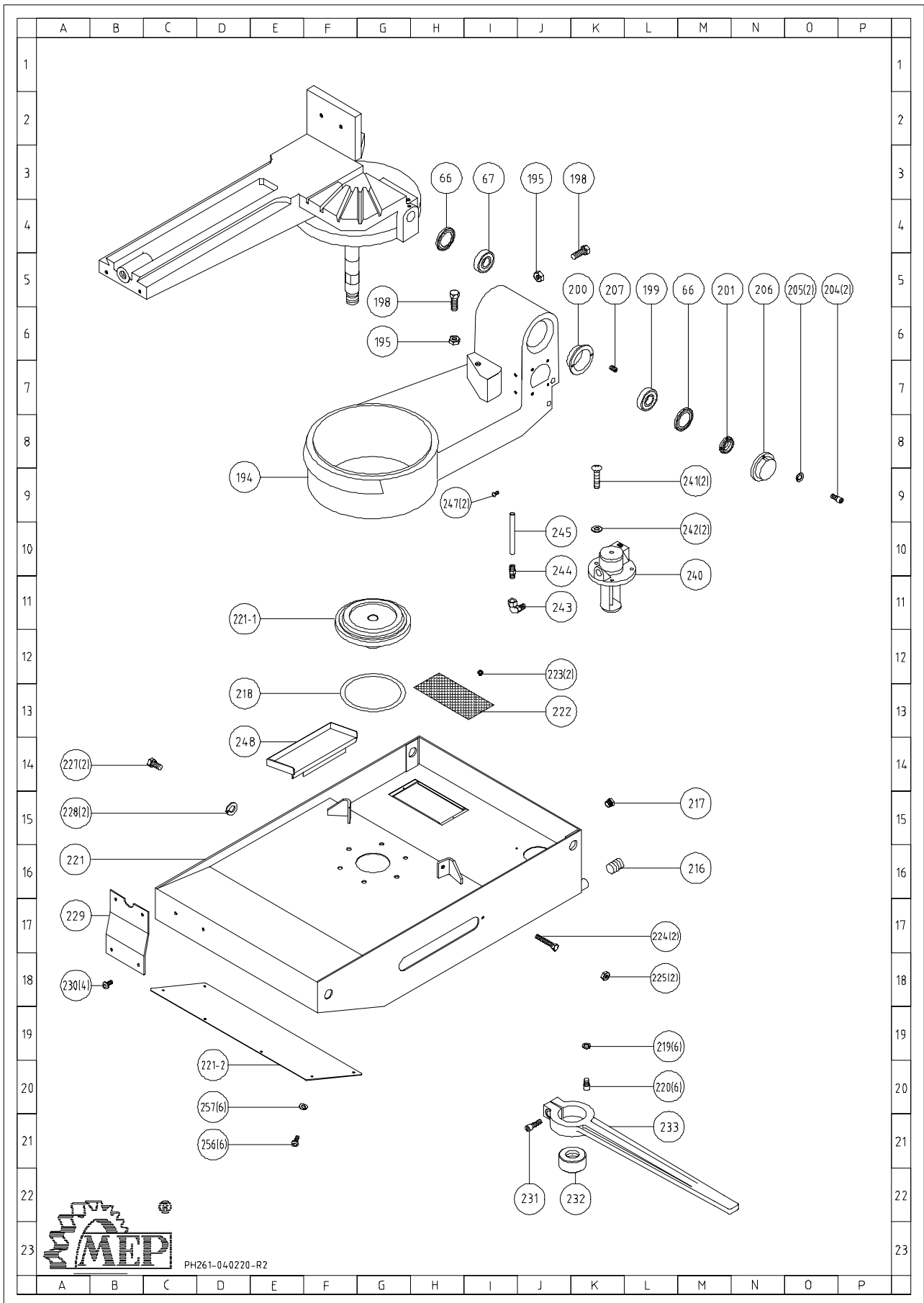
Assemblage bedieningspaneel



PH261-04.0220-R2

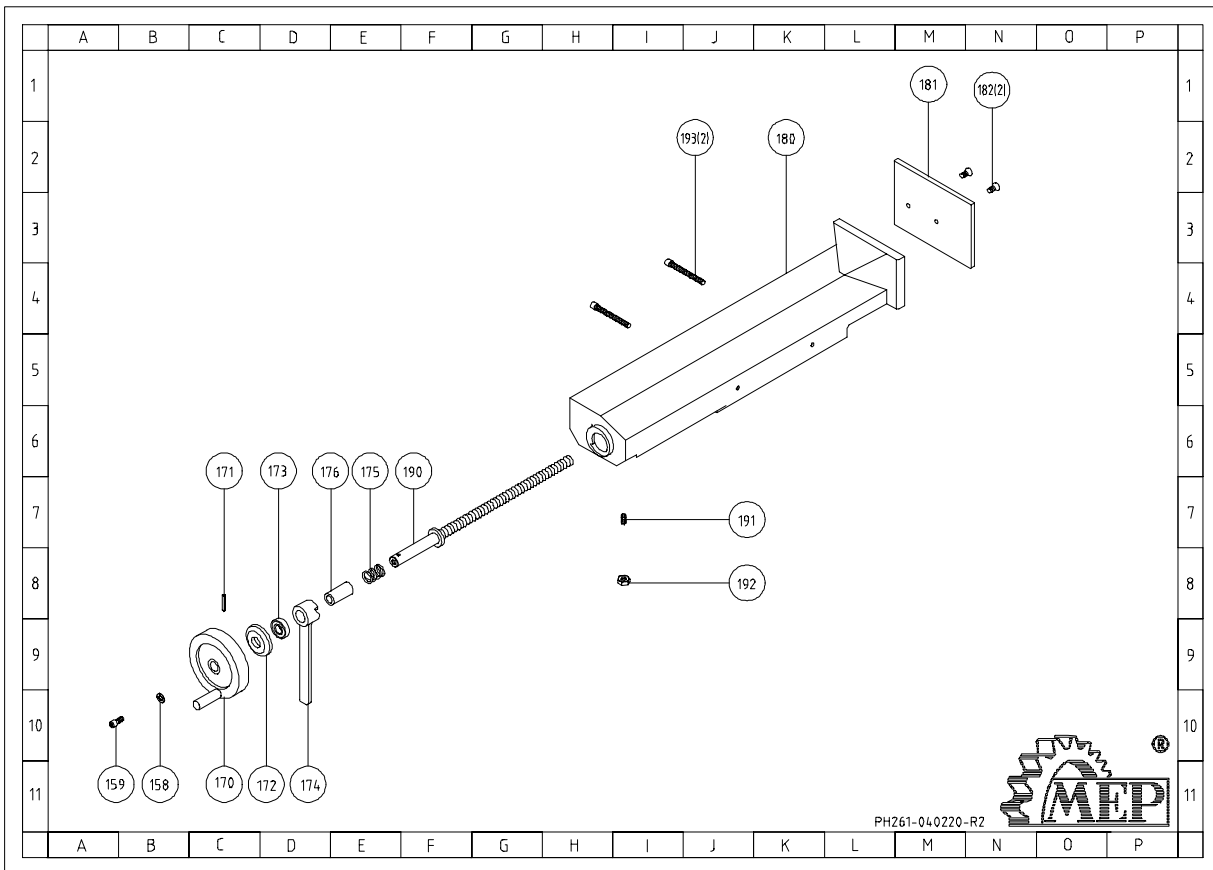
NR.	Art. NR.	Benaming	Hoeveelheid
92	010.4061	SPRING	2
93	010.1201	NUT M10	2
120	010.1591	SPRING BRACKET	1
121	010.1201	SPRING WASHER M10	3
122	010.1201	HEX. SOCKET HEAD SCREW M10X25L	3
208	031.5002	WARNING PASTER	1
209	016.0232	CONTROL BOX BASE	1
211	010.1201	HEX. SOCKET HEAD SCREW M8X35L	4
212	010.1201	SPRING WASHER M8	4
213	010.1201	WASHER M8	4
214	368.9133	LABLE FOR NAME PLATE	1
215	368.9133	CONTROL SWITCH ASSEMBLY	1
282	034.1251	KNOB	1
283	010.1201	HEX.SOCKET HEAD SCREW M8X15L	1
284	010.1201	HEX.NUT M8	1
285	010.1201	SPRING WASHER	1

Assemblage basis

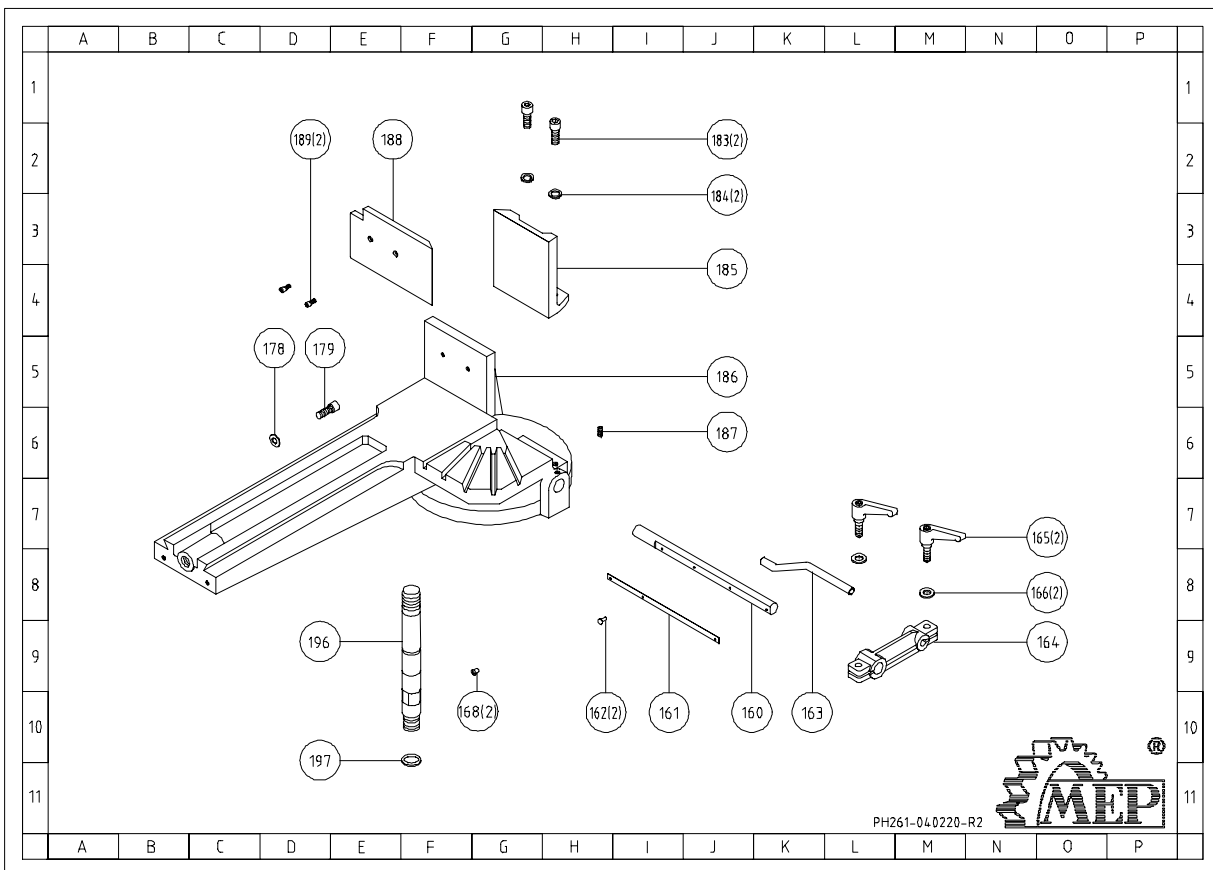


NR.	Art. NR.	Benaming	Hoeveelheid
66	025.0272	ANTI-CHIP COVER	2
67	025.0069	TAPERED BEARING 32007A	1
194	001.6007	SWIVEL ARM	1
195	010.1201	HEX. NUT M10	2
198	010.1201	HEX. HEAD SCREW M10X45L	2
199	025.0069	BEARING	1
200	010.2060	BUSHING	1
201	010.0354	NUT AN07	1
204	010.1201	HEX. SOCKET HEAD SCREW M6X15L	2
205	010.1201	SPRING WASHER M6	2
206	010.2084	COVER	1
207	010.1201	HEX. SOCKET HEADLESS SCREW M6X15L	1
216	034.0903	HEX SOCKET PLUG 3/8"PT	1
217	034.0900	OIL LEVEL GAGE	1
218	025.0256	O-RETAINER RING ID195X5.7W	1
219	010.1201	SPRING WASHER M10	6
220	010.1201	HEX. SOCKET HEAD SCREW M10X20L	6
221	013.0201	STAND	1
221 - 1	001.6011	SWIVEL ARM BASE	1
222	016.0193	FILTER	1
223	010.1201	CROSS ROUND HEAD SCREW M4X8L	2
224	010.1201	HEX. HEAD SCREW M10X50L	2
225	010.1201	HEX. NUT M12XP1,75	2
227	010.1201	HEX. HEAD SCREW M10X25L	2
228	010.1201	SPRING WASHER M10	2
229	016.1235	FIXED PLATE	1
230	010.1201	ROUND HEAD SCREW M6X10L	4
231	010.1201	HEX. SOCKET HEAD SCREW M10X35L	1
232	010.3463	NUT	1
233	001.6001	ADJUSTABLE HANDLE	1
240	028.0271	COOLING PUMP 1/8HP	1
241	010.1201	CROSS ROUND HEAD SCREW M6X15L	2
242	010.1201	SPRING WASHER M6	2
243	043.0227	MICRO CONTROL BLOCK 3/8"X3/8"	1
244	043.0204	STRAIGHT CONNECTOR 3/8"X1/4"	1
245	028.0193	PU TUBE Ø 8X1300L	1
247	010.1201	CROSS ROUND HEAD SCREW M5X10L	2
248	016.0192	FLUID COLLECTED PLATE	1
249	016.1040	FEED SUPPORT	1

Assemblage spanklem (A)



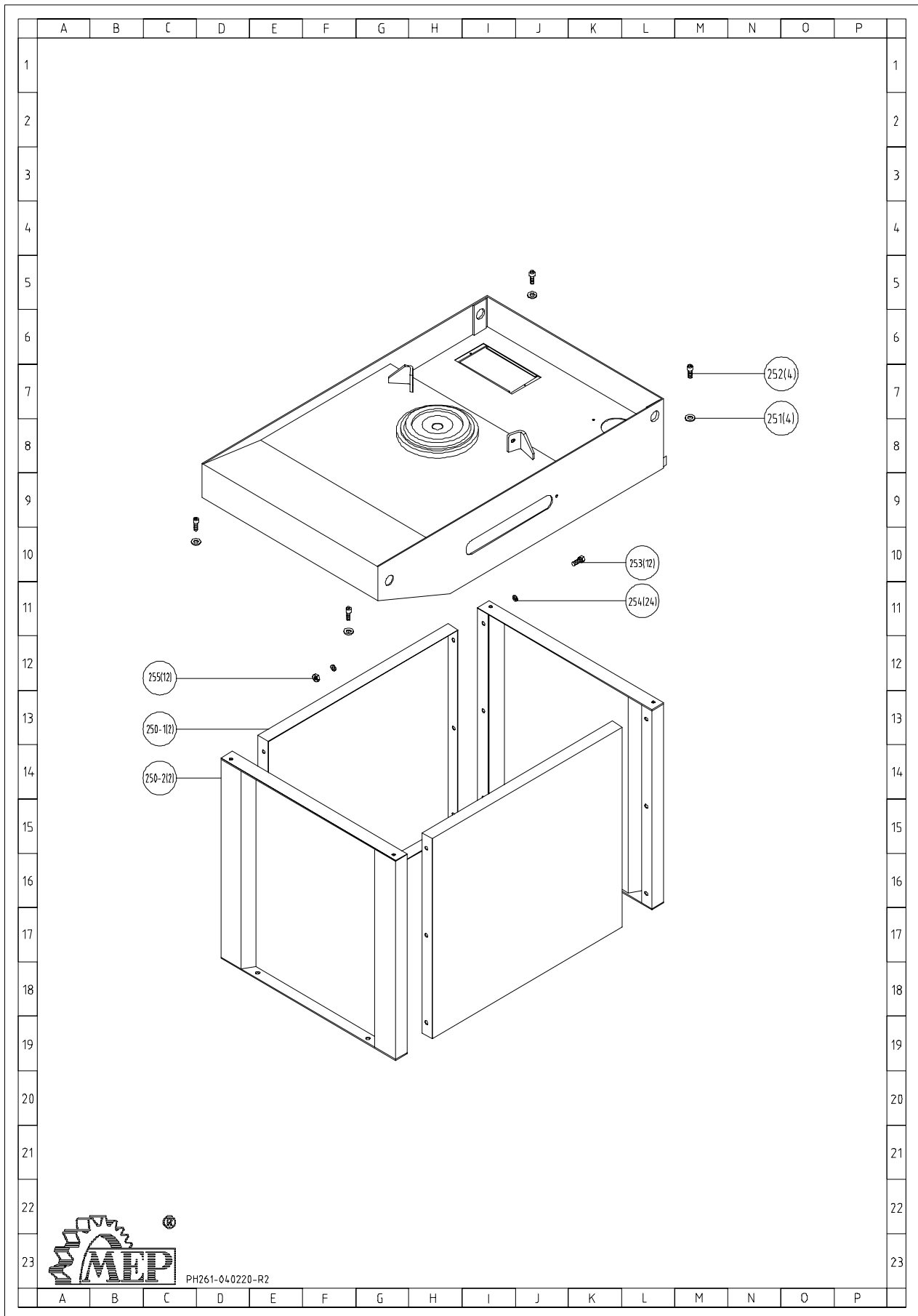
Assemblage spanklem (B)



NR.	Art. NR.	Benaming	Hoeveelheid
158	010.1201	WASHER M6	1
159	010.1201	HEX. SOCKET HEAD SCREW M6X20L	1
170	034.0293	WHEEL	1
171	010.1201	PIN Ø 5X35	1
172	010.2085	BEARING COVER	1
173	025.0965	BEARING Ø 30X Ø 47X3,5	1
174	001.6002	WISE HANDLE	1
175	010.0892	SPRING	1
176	010.1699	BUSHING	1
180	001.6009	WISE JAW BRACKET (FRONT)	1
181	010.0530	WISE	1
182	010.1201	HEX. SOCKET FLAT HEAD SCREW M6X12L	2
190	010.0238	LEADSCREW A	1
191	010.1201	HEX. SOCKET HEADLESS SCREW M8X20L	1
192	010.1201	HEX. NUT M8	1
193	010.1201	HEX. SOCKET HEAD SCREW M6X120L	2

NR.	Art. NR.	Benaming	Hoeveelheid
160	010.2356	DISTANCE SET ROD	1
161	031.3607	SCALE	1
162	010.1201	RIVET Ø 2	2
163	010.3166	STOCK STOP ROD	1
164	001.6003	DISTANCE SET BRACKET	1
165	034.1001	KNOB	2
166	010.1201	WASHER M8	2
168	010.1201	RIVET Ø 2X6	2
178	010.1201	WASHER ID Ø 6,5 OD Ø 18	1
179	010.1201	HEX. SOCKET HEAD SCREW M6X15L	1
183	010.1201	HEX. SOCKET HEAD SCREW M10X30L	2
184	010.1201	SPRING WASHER M10	2
185	001.6008	WISE	1
186	001.6012	WISE JAW BRACKET (REAR)	1
187	010.1201	HEX. SOCKET HEADLESS SCREW M8X10L	1
188	010.0529	WISE	1
189	010.1201	HEX. SOCKET HEAD SCREW M6X15L	2
196	010.3710	WISE JAW ADJUSTABLE ROD	1
197	025.0257	O-RETAINER RING Ø 19.8X Ø 2.4	1

Assemblage steunpoot



NR.	Art. NR.	Benaming	Hoeveelheid
250-1	013.0204	STAND LEG (FRONT)	2
250-2	013.0204	STAND LEG (RIGHT)(LEFT)	2
251	010.1201	WASHER M10	4
252	010.1201	HEX. SOCKET HEAD SCREW M10X20L	4
253	010.1201	HEX. HEAD SCREW M8X20L	12
254	010.1201	WASHER M8	24
255	010.1201	HEX. NUT M8	12