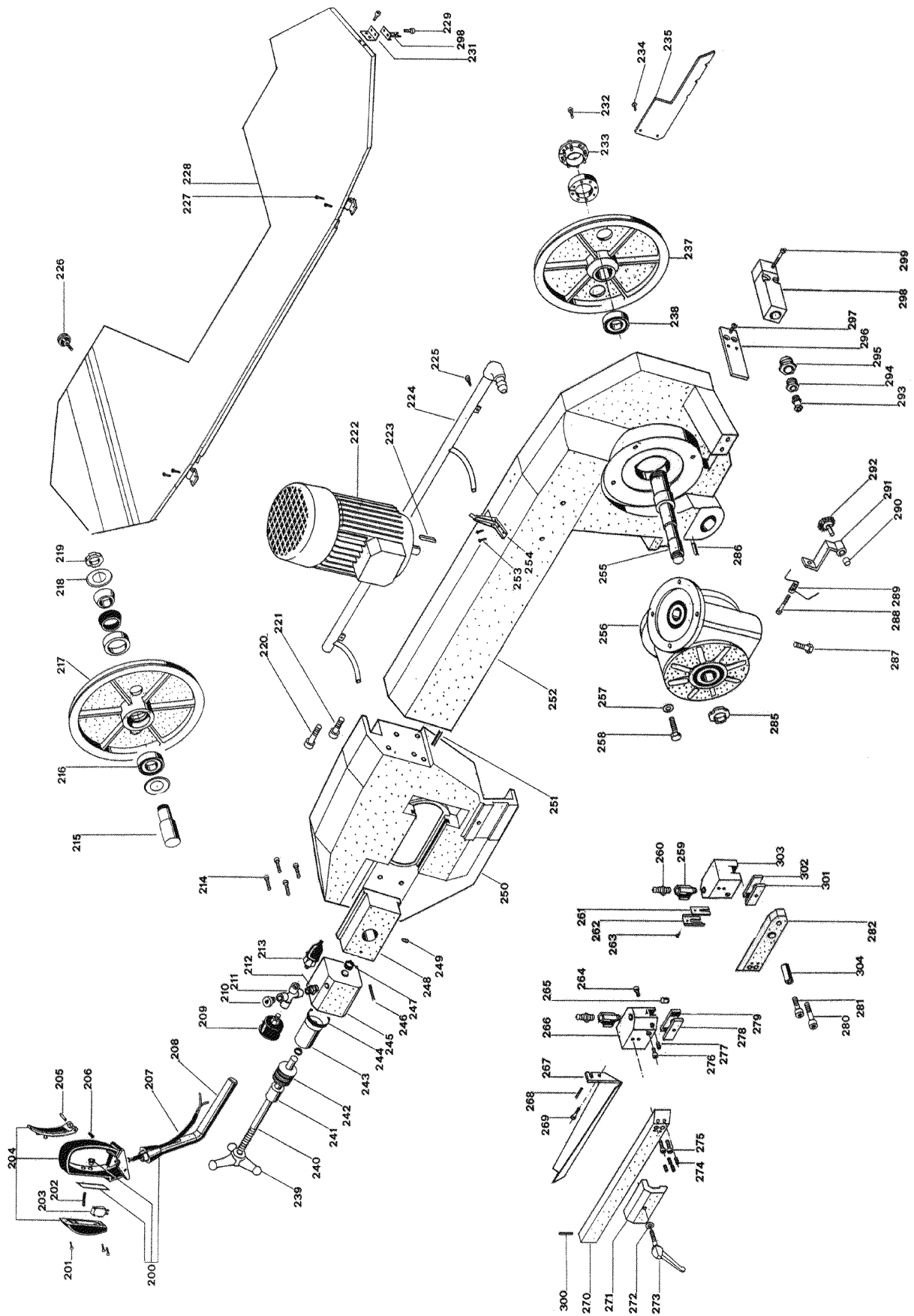


5.2 - Exploded views

This part of the manual contains the exploded views of the SHARK 280 which will assist in gaining a thorough knowledge of the machine.

5.2.1 - Cutting head



5.2.2 - Lowering unit, vice, control panel

